

<b>VICTRONIX</b>	Add:	Room 1405A, Building 1B, Hua qiang Idea Park, GuangMing District, Shenzhen, China		
	Tel:	+86-755-33265935		

# SPECIFICATION

## VXT430BPI-01ND

Preliminary Specification

Final Specification



**Approved By:**

**Date:**

---

Date	Rev.No.	Page	Revision Items	Prepared
2025.3.14	V00		The first release	Solon

### 3. General Specifications

VXT430BPI-01ND is a TFT-LCD module. It is composed of a TFT-LCD panel, driver IC, FPC, a back light unit . The 4.3" display area contains 480\*272 pixels and can display up to 16.7M colors. This product accords with RoHS environmental criterion.

#### 3.1 LCD Parameter

Item	Contents	Unit	Note
LCD Type	TFT	-	
Display color	16.7M	1	
Viewing Direction	12	O'Clock	
Grayscale inversion direction	6	O'Clock	
Operating temperature	-20~+70	°C	
Storage temperature	-30~+80	°C	
Module size	Refer to outline drawing	mm	
Active Area(W×H)	95.04X53.86	mm	
Number of Dots	480*272	dots	
Driver IC	ILI6485(Series)	-	
Backlight	7S1P-LEDs (white)	pcs	
Power Supply Voltage	3.3	V	
Interface	RGB	-	

Note: Color temperature is slightly changed by temperature and driving voltage.

iving voltage.



---

## 5. Absolute Maximum Ratings(Ta=25°C)

### 5.1 Electrical Absolute Maximum Ratings.(V<sub>SS</sub>=0V ,Ta=25°C)

Item	Symbol	Min.	Max.	Unit	Note
Power Supply Voltage	V <sub>DD</sub>	-0.3	4.6	V	1, 2

Notes:

1. If the module is above these absolute maximum ratings. It may become permanently damaged. Using the module within the following electrical characteristic conditions are also exceeded, the module will malfunction and cause poor reliability.
2. V<sub>DD</sub> > V<sub>SS</sub> must be maintained.
3. Please be sure users are grounded when handing LCD Module.

### 5.2 Environmental Absolute Maximum Ratings.

Item	Storage		Operating	
	MIN.	MAX.	MIN.	MAX.
Ambient Temperature	-30°C	80°C	-20°C	70°C
Humidity	-	-	-	-

1. The response time will become lower when operated at low temperature.
2. Background color changes slightly depending on ambient temperature.  
The phenomenon is reversible.
3. Ta ≤ 40°C: 85%RH MAX.

Ta ≥ 40°C: Absolute humidity must be lower than the humidity of 85%RH at 40°C.

## 6. Electrical Specifications and Instruction Code

### 6.1 Electrical characteristics( $V_{SS}=0V$ , $T_a=25^{\circ}C$ )

Parameter	Symbol	Condition	Min	Typ	Max	Unit	Note
Power supply	VDD	$T_a=25^{\circ}C$	3.0	3.3	3.6	V	
Input voltage	'H'	$V_{DD}=3.3V$	$0.7V_{DD}$	-	$V_{DD}$	V	
	'L'	$V_{DD}=3.3V$	0	-	$0.3V_{DD}$	V	
Current Consumption	$I_{CC1}$	Normal mode	-	20	40	mA	

Note: If one of the above items is exceeded its maximum limitation momentarily, the quality of the product may be degraded. Absolute maximum limitation, therefore, specify the values exceeding which the product may be physically damaged. Be sure to use the product within the recommend range.

### 6.2 LED backlight specification( $V_{SS}=0V$ , $T_a=25^{\circ}C$ )

Item	Symbol	Condition	Min	Typ	Max	Unit	Note
Supply voltage VLED	$V_f$	$T_a=25^{\circ}C$	19.6	21	23.1	V	
Supply Current	$I_f$	-	-	20	-	mA	
LED Life Time	-	-	30K	-	-	hr	1

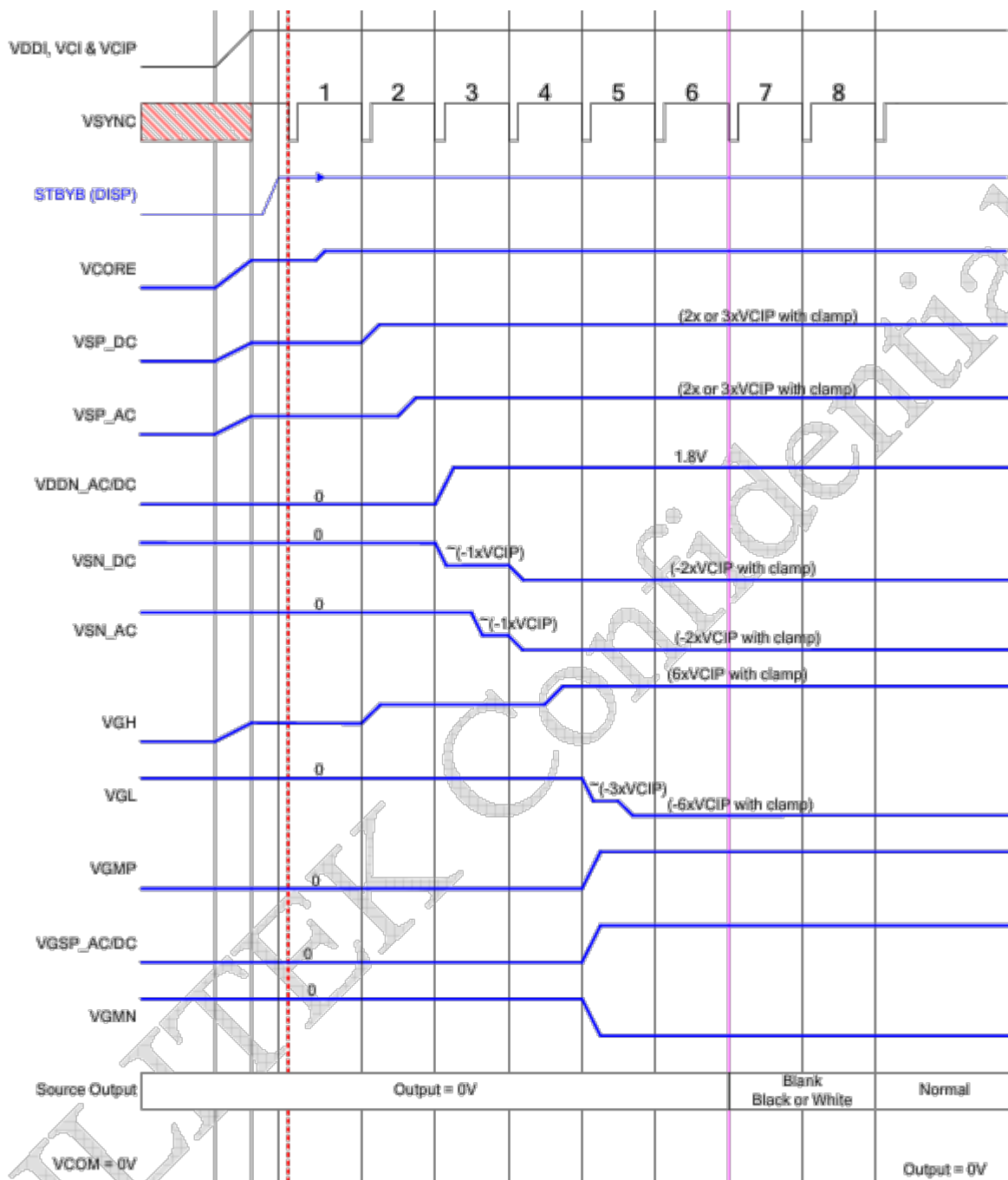
Note 1: Brightness to be decreased to 50% of the initial value at ambient temperature  $T_A=25^{\circ}C$

### 6.3 Interface signals

Pin No.	Symbol	I/O	Function
1	VLED-	P	LED back light(Cathode)
2	VLED+	P	LED back light(Anode)
3	GND	P	Ground
4	VDD	P	Power supply
5-12	R0-R7	I	Red data input pin
13-20	G0-G7	I	Green data input pin
21-28	B0-B7	I	Blue data input pin
29	GND	P	Ground
30	PCLK	I	Dot clock signal
31	NC		No connection
32	HSYNC	I	Line synchronizing signal
33	VSYNC	I	Vertical synchronizing signal
34	DE	I	Data enable signal
35	NC		No connection
36	GND	P	Ground
37	XR	I	RTP control pin, no use please NC
38	YD		
39	XL		
40	YU		

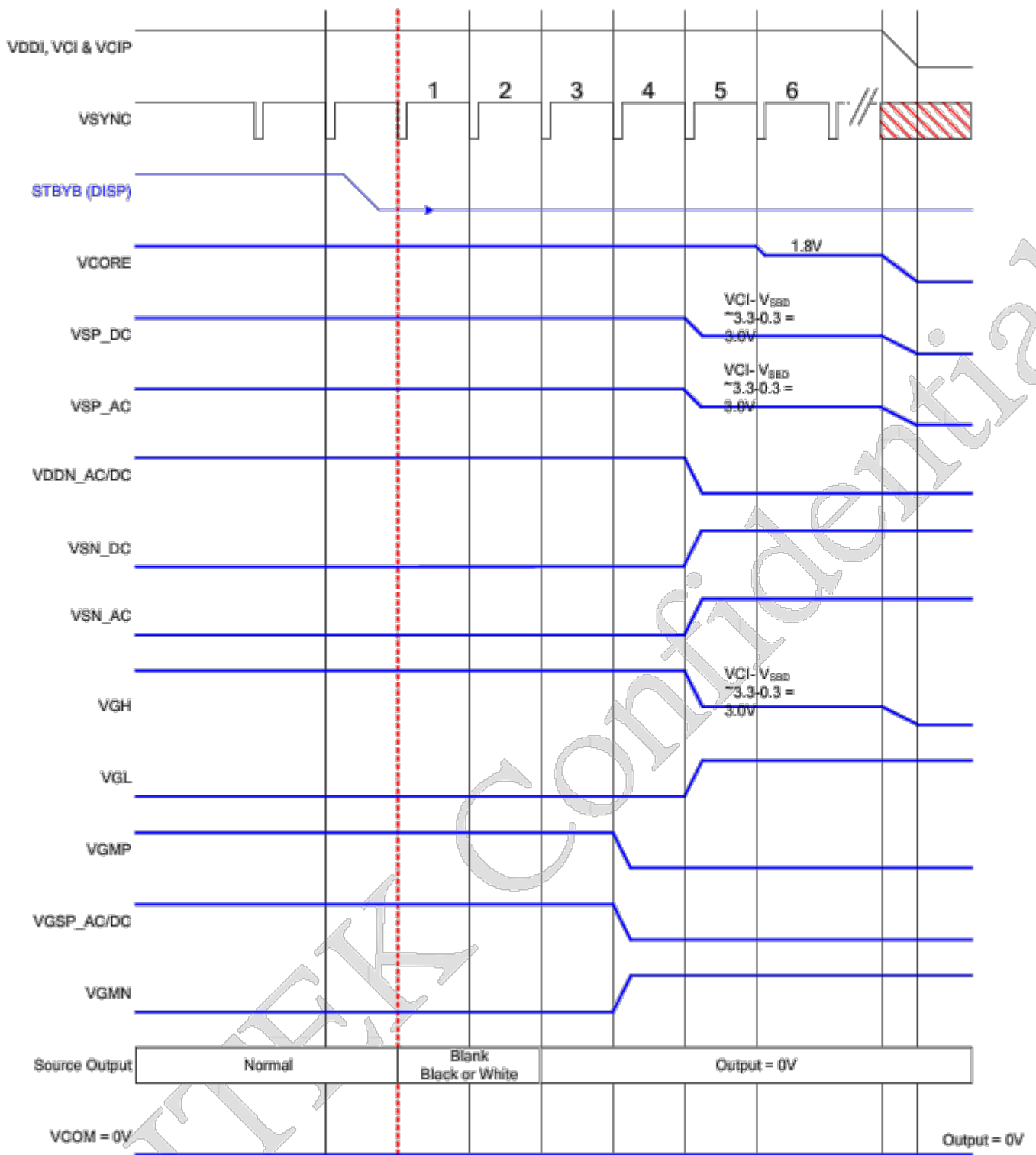
## 6.4 Power on/off Sequence

Power on:



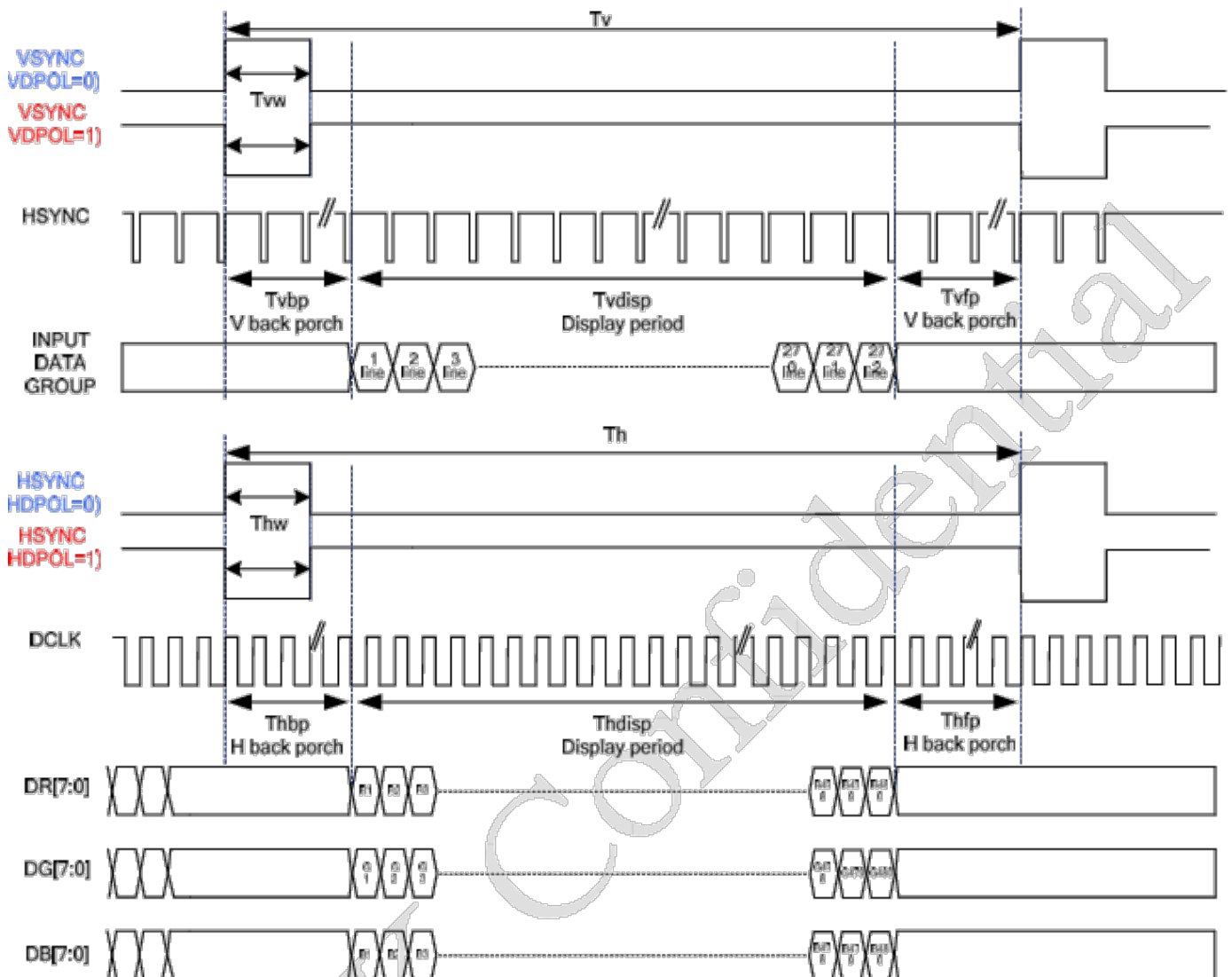


**Power off:**

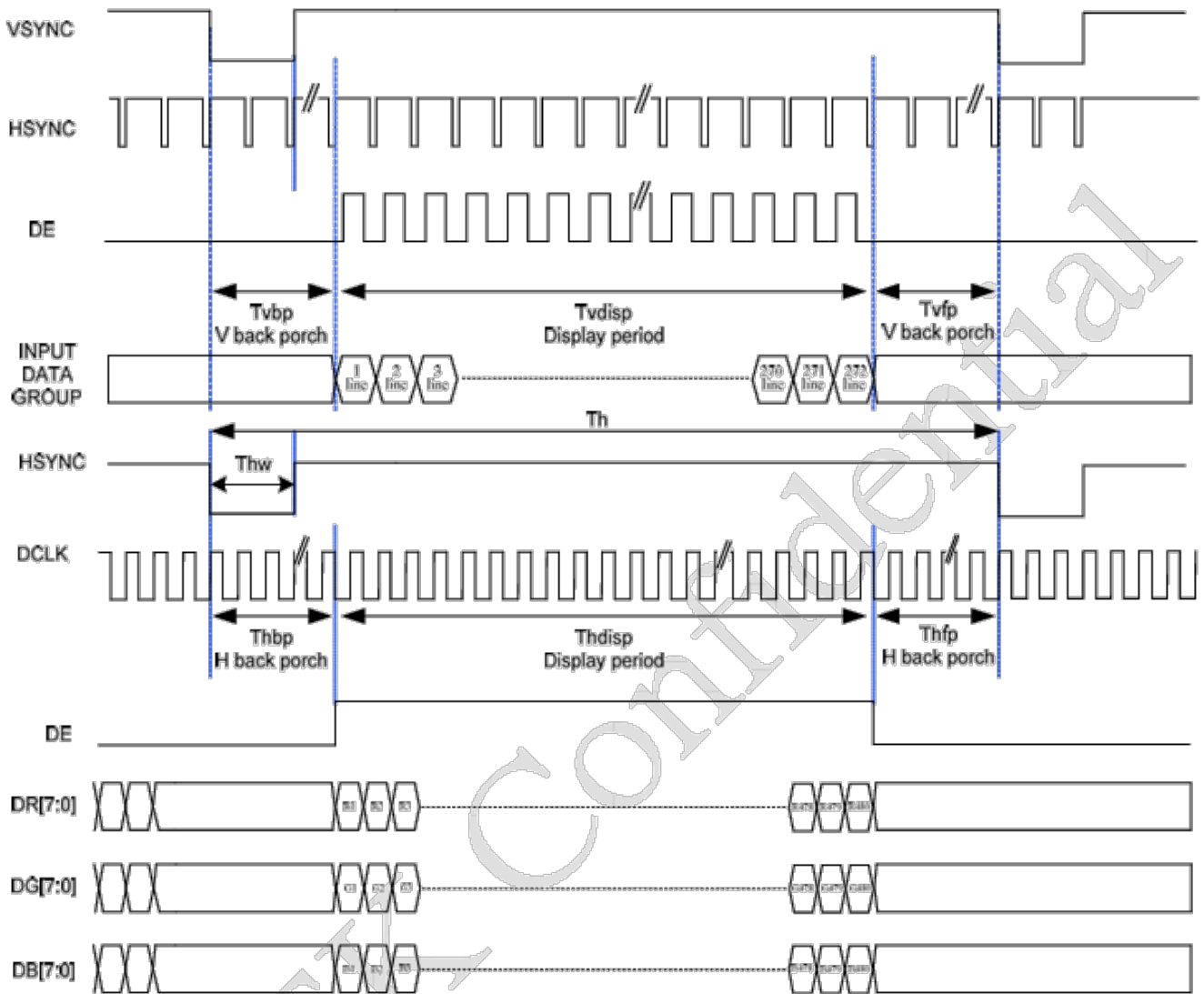


## 6.5 AC electrical characteristic

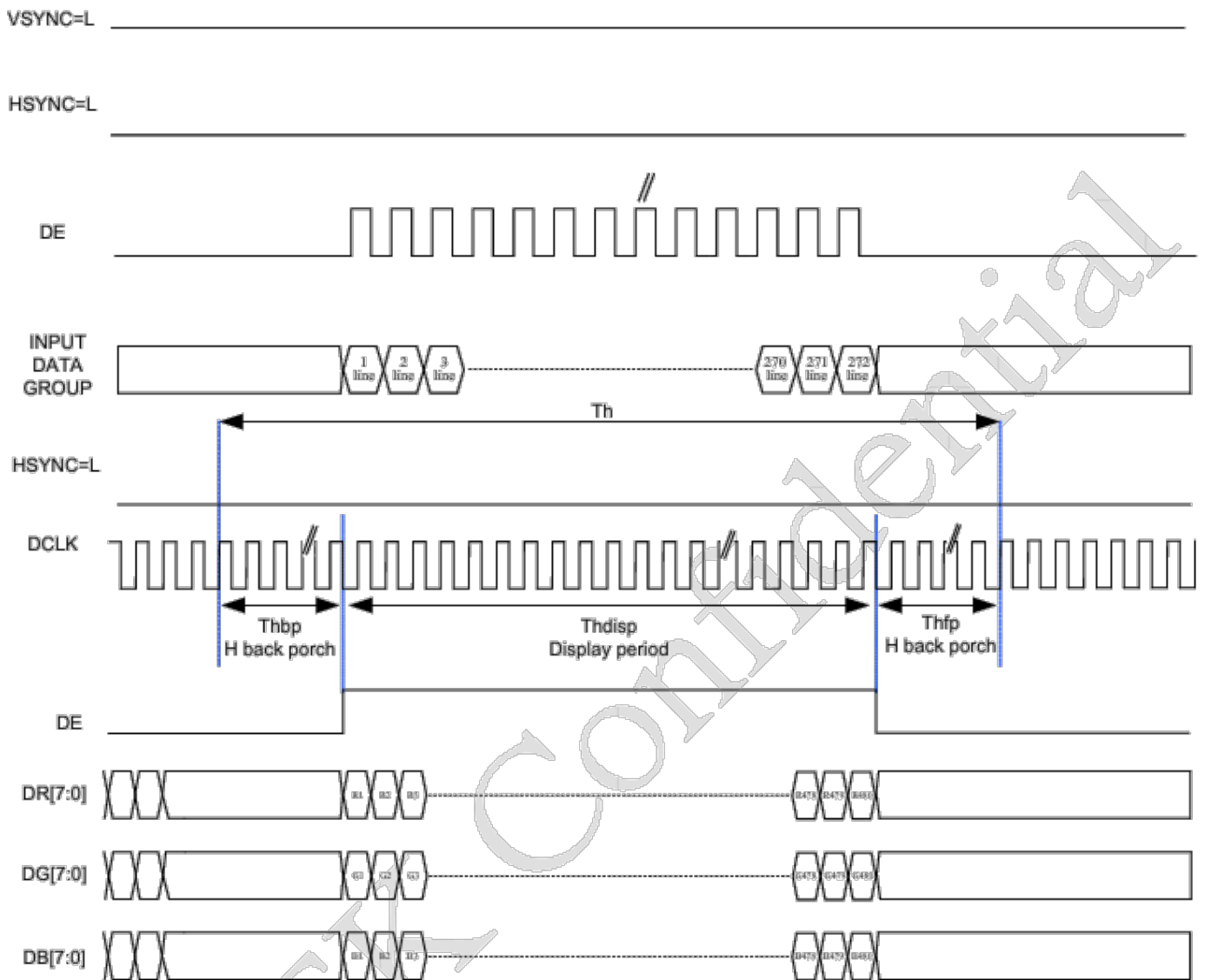
### 6.5.1 SYNC Mode



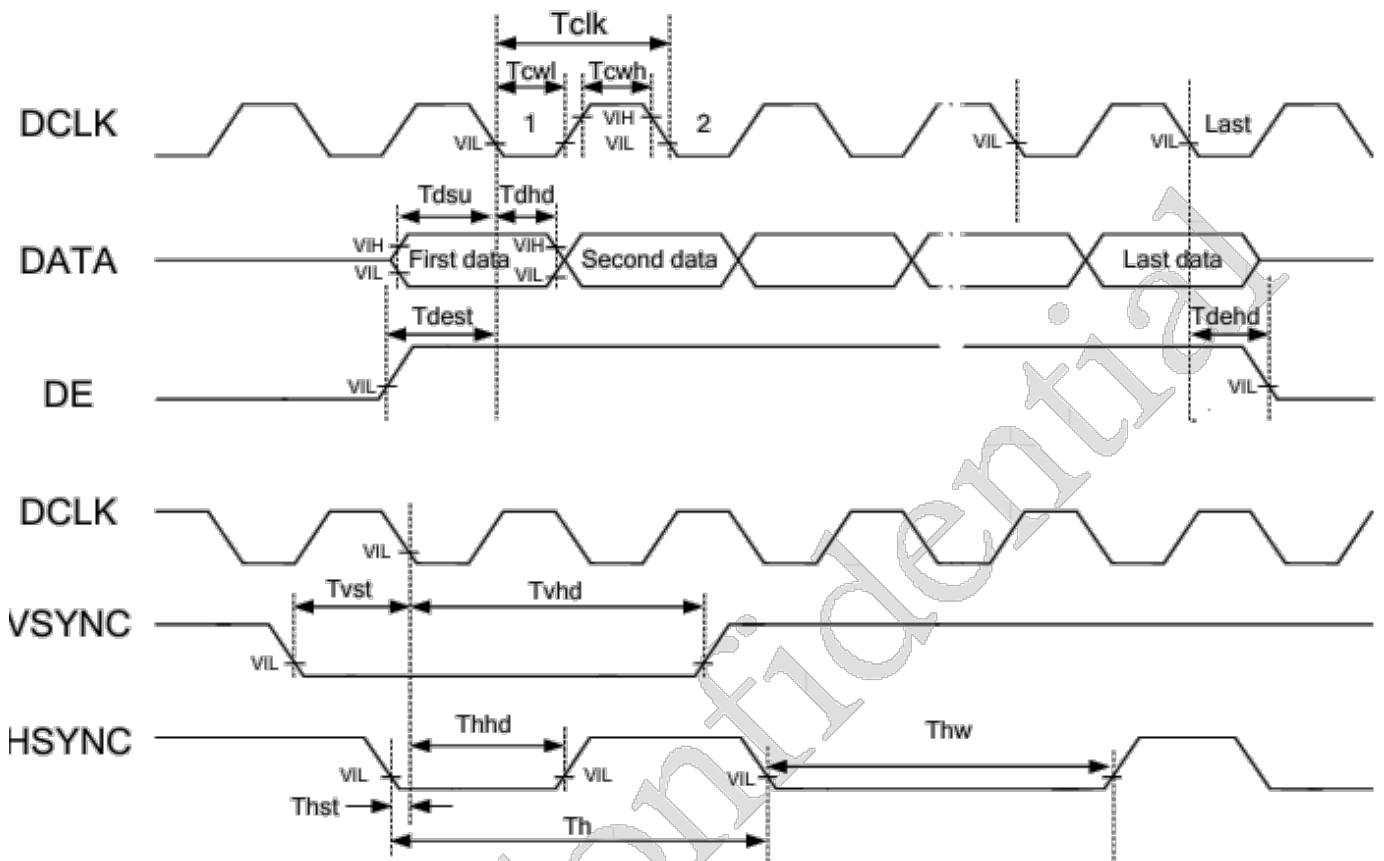
## 6.5.2 SYNC-DE Mode



### 6.5.3 DE Mode



### 6.5.4 Clock and Data Input Timing Diagram



### 6.5.5 Parallel 24-bit RGB Input Timing Table

Item	Symbol	Min.	Typ.	Max.	Unit	Remark	
DCLK Frequency	Fclk	8	9	12	MHz		
DCLK Period	Tclk	83	111	125	ns		
HSYNC	Period Time	Th	485	531	598	DCLK	
	Display Period	Thdisp	-	480	-	DCLK	
	Back Porch	Thbp	3	43	43	DCLK	By H_Blanking setting
	Front Porch	Thfp	2	8	75	DCLK	
	Pulse Width	Thw	2	4	75	DCLK	
VSYNC	Period Time	Tv	276	292	321	H	
	Display Period	Tvdisp	-	272	-	H	
	Back Porch	Tvbp	2	12	12	H	By V_Blanking setting
	Front Porch	Tvfp	2	8	37	H	
	Pulse Width	Tvw	2	4	37	H	

Note: It is necessary to keep  $T_{vbp} = 12$  and  $T_{hbp} = 43$  in sync mode. DE mode is unnecessary to keep it.

## 7. Optical Characteristics

Item	Symbol	Condition	Min.	Typ.	Max.	Unit	Note	
Brightness	Bp	$\theta=0^\circ$	-	300	-	Cd/m <sup>2</sup>	1	
Uniformity	$\Delta Bp$	$\Phi=0^\circ$	-	80	-	%	1,2	
Viewing Angle	3:00	$Cr \geq 10$	-	65	-	Deg	3	
	6:00		-	55	-			
	9:00		-	65	-			
	12:00		-	65	-			
Contrast Ratio	Cr	$\theta=0^\circ$	500	700	-	-	4	
Response Time	$T_r+T_f$	$\Phi=0^\circ$	-	20	30	ms	5	
Color of CIE Coordinate	W	x	$\theta=0^\circ$ $\Phi=0^\circ$	Typ- 0.05	Typ+ 0.05	-	1,6	
		y				-		
	R	x				0.2887		-
		y				0.3266		-
	G	x				0.5660		-
		y				0.3400		-
	B	x				0.3447		-
		y				0.6026		-
	x	0.1562	-					
	y	0.1211	-					
NTSC Ratio	S		-	50	-	%		

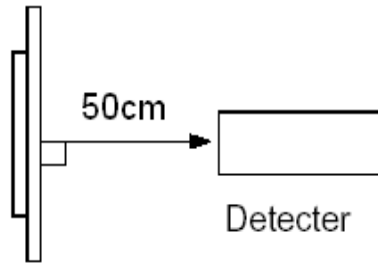
Note: The parameter is slightly changed by temperature, driving voltage and material

Note 1: The data are measured after LEDs are turned on for 5 minutes. LCM displays full white. The brightness is the average value of 9 measured spots. Measurement equipment CA310

Measuring condition:

- Measuring surroundings: Dark room.
- Measuring temperature:  $T_a=25^\circ\text{C}$ .
- Adjust operating voltage to get optimum contrast at the center of the display.

Measured value at the center point of LCD panel after more than 5 minutes while backlight turning on.

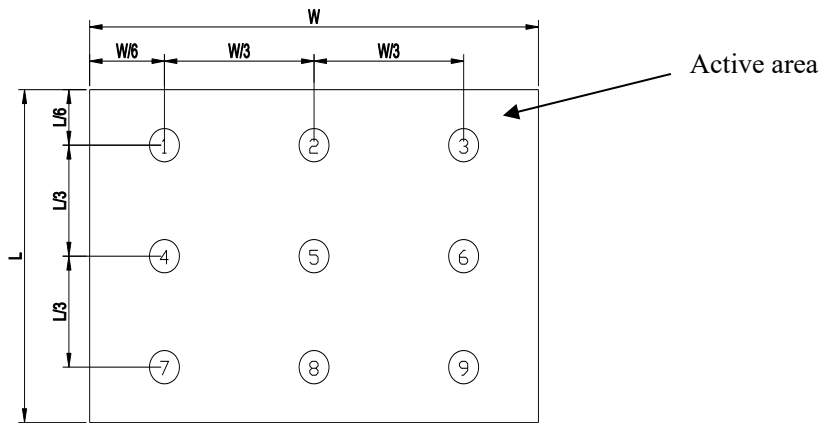


Note 2: The luminance uniformity is calculated by using following formula.

$$\Delta Bp = Bp (\text{Min.}) / Bp (\text{Max.}) \times 100 (\%)$$

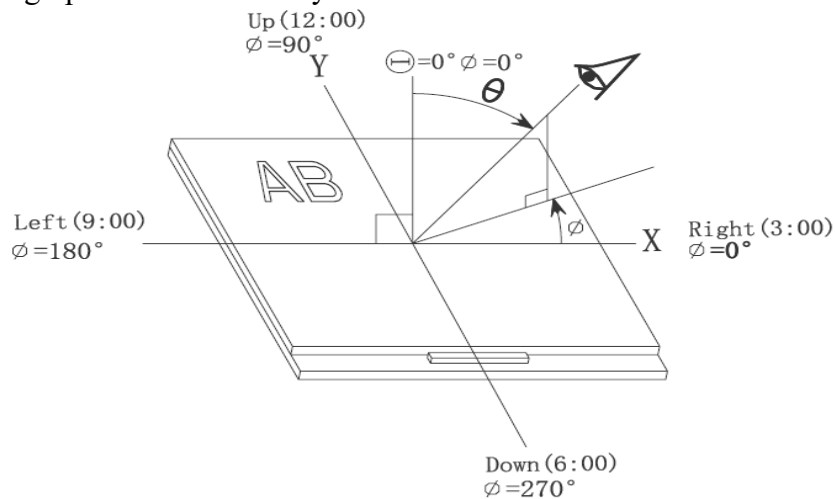
$Bp (\text{Max.})$  = Maximum brightness in 9 measured spots

$Bp (\text{Min.})$  = Minimum brightness in 9 measured spots.

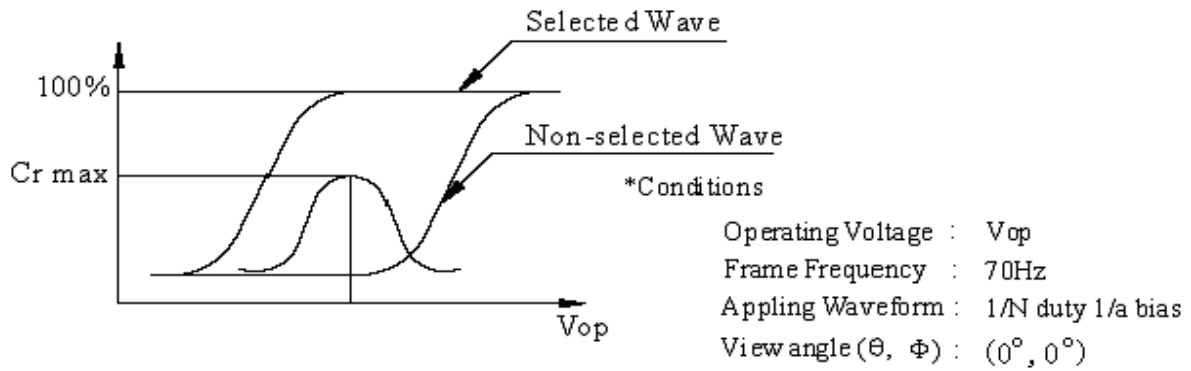


Note 3: The definition of viewing angle:

Refer to the graph below marked by  $\theta$  and  $\Phi$



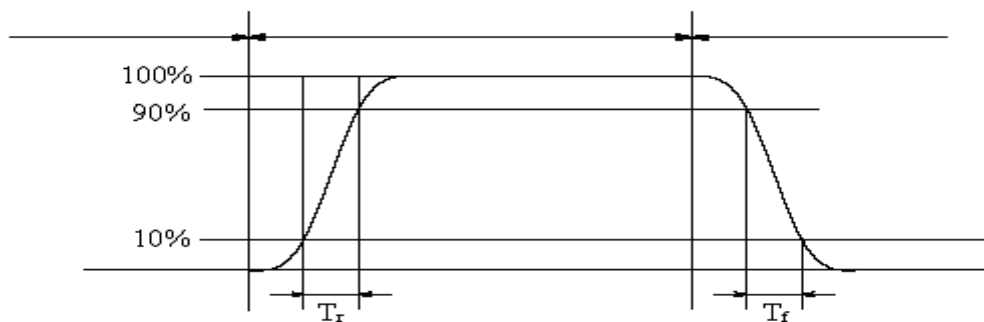
Note 4: Definition of contrast ratio.



$$\text{Contrast ratio}(Cr) = \frac{\text{Brightness of selected dots}}{\text{Brightness of non-selected dots}}$$

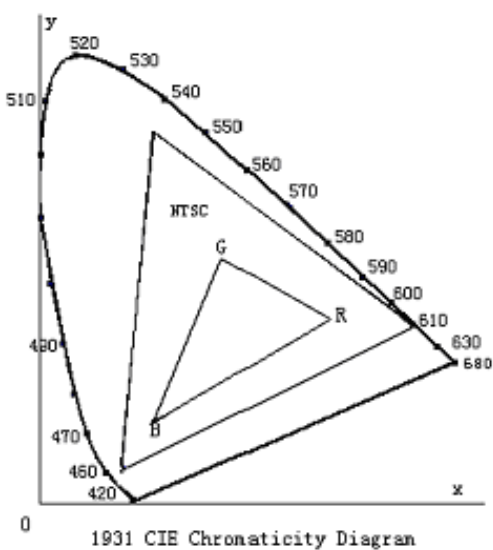
Note 5: Definition of Response time:

The output signals of photo detector are measured when the input signals are changed from “black” to “white”(falling time) and from “white” to “black”(rising time), respectively. The response time is defined as the time interval between the 10% and 90% of amplitudes. Refer to figure as below.



*The definition of response time*

Note 6: Definition of Color of CIE Coordinate and NTSC Ratio.



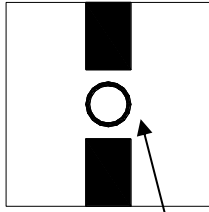
**Color gamut:**

$$S = \frac{\text{area of RGB triangle}}{\text{area of NTSC triangle}} \times 100\%$$

Note 7: Definition of cross talk.

$$\text{Cross talk ratio}(\%) = \frac{|\text{pattern A Brightness} - \text{pattern B Brightness}|}{\text{pattern A Brightness}} \times 100$$





Pattern A



Pattern B

*Measurement point(center)*

Electric volume value= $3F \pm 3Hex$

## 8. Reliability Test Items and Criteria

No	Test Item	Test condition	Criterion
1	High Temperature Storage	80°C±2°C 96H Restore 2H at 25°C Power off	1. After the reliability test, the product only guarantees operation, but not guarantee all of the cosmetic specification. 2. Total current consumption should not be more than twice of initial value.
2	Low Temperature Storage	-30°C±2°C 96H Restore 2H at 25°C Power off	
3	High Temperature Operation	70°C±2°C 96H Restore 2H at 25°C Power on	
4	Low Temperature Operation	20°C±2°C 96H Restore 4H at 25°C Power on	
5	High Temperature/Humidity Operation	60°C±2°C 90%RH 96H Power on	
6	Temperature Cycle	-30°C ← ———→ 80°C 30min 5min 30min after 5 cycle, Restore 2H at 25°C Power off	

Note: Operation: Supply 3.3V for logic system.

The inspection terms after reliability test, as below

ITEM	Inspection
Contrast	CR>50%
IDD	IDD<200%
Brightness	Brightness>60%
Color Tone	Color Tone+/-0,05

---

## 9. Precautions for Use of LCD Modules

### 9.1 Handling Precautions

9.1.1 The display panel is made of glass. Do not subject it to a mechanical shock by dropping it from a high place, etc.

9.1.2 If the display panel is damaged and the liquid crystal substance inside it leaks out, be sure not to get any in your mouth, if the substance comes into contact with your skin or clothes, promptly wash it off using soap and water.

9.1.3 Do not apply excessive force to the display surface or the adjoining areas since this may cause the color tone to vary.

9.1.4 The polarizer covering the display surface of the LCD module is soft and easily scratched. Handle this polarizer carefully.

9.1.5 If the display surface is contaminated, breathe on the surface and gently wipe it with a soft dry cloth. If still not completely clear, moisten cloth with one of the following solvents:

— Isopropyl alcohol      — Ethyl alcohol

Solvents other than those mentioned above may damage the polarizer. Especially, do not use the following:

— Water                      — Ketone                      — Aromatic solvents

9.1.6 Do not attempt to disassemble the LCD Module.

9.1.7 If the logic circuit power is off, do not apply the input signals.

9.1.8 To prevent destruction of the elements by static electricity, be careful to maintain an optimum work environment.

- a. Be sure to ground the body when handling the LCD Modules.
- b. Tools required for assembly, such as soldering irons, must be properly ground.
- c. To reduce the amount of static electricity generated, do not conduct assembly and other work under dry conditions.
- d. The LCD Module is coated with a film to protect the display surface. Be care when peeling off this protective film since static electricity may be generated.

---

## 9.2 Storage precautions

9.2.1 When storing the LCD modules, avoid exposure to direct sunlight or to the light of fluorescent lamps.

9.2.2 The LCD modules should be stored under the storage temperature range. If the LCD modules will be stored for a long time, the recommend condition is:

Temperature :           0°C ~ 40°C

Relatively humidity: ≤80%

9.2.3 The LCD modules should be stored in the room without acid, alkali and harmful gas.

**9.3 The LCD modules should be no falling and violent shocking during transportation, and also should avoid excessive press, water, damp and sunshine.**

**END**